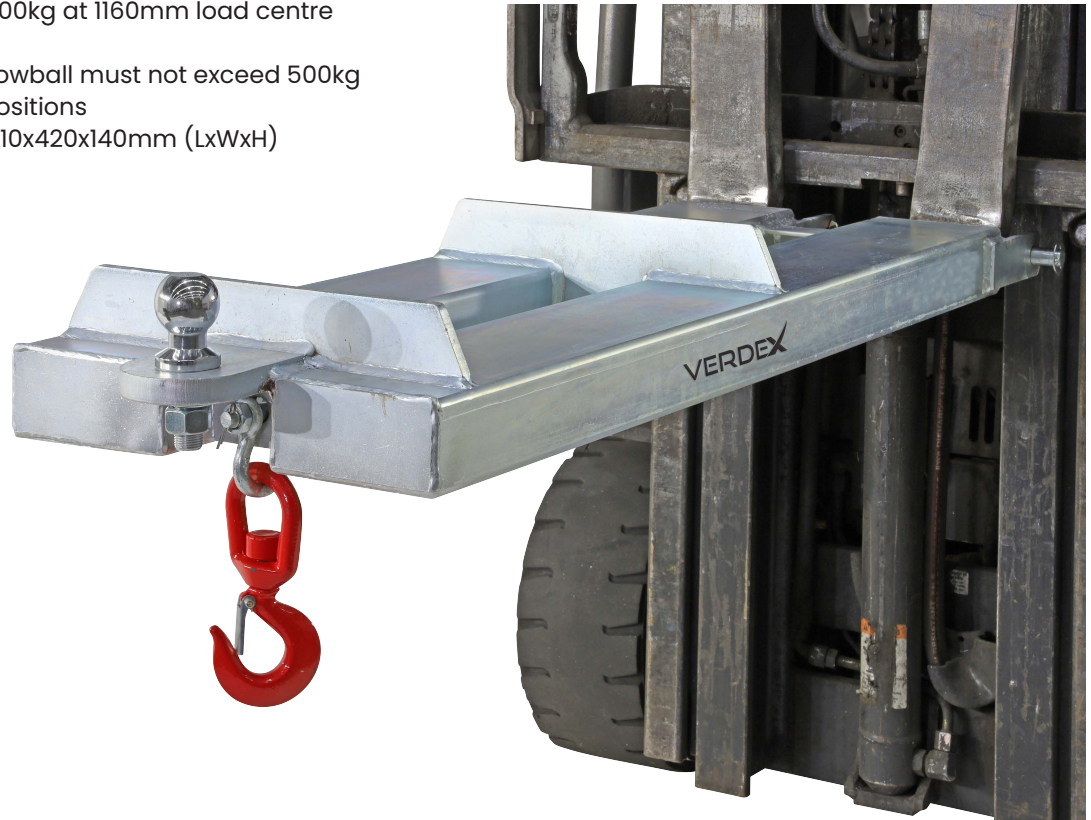


## 2.0 Tonne Hook & Tow Jib Attachment

This 2000kg hook & tow jib is suitable for most forklifts and is a simple slip-on attachment with safety chain and swivel hook as pictured.

- Safe Working Load: 2000kg at 1160mm load centre
- Finish: Zinc plated
- Maximum weight on towball must not exceed 500kg
- Hook jib has 2 lifting positions
- Overall Dimensions: 1410x420x140mm (LxWxH)



Code	Details	Fork Pocket Size (mm)	Fork Pocket Centres (mm)	Fork Pocket Length (mm)	Unit Weight (kg)
M2429	Hook Jib – 2.0 Tonne Capacity	140x65	250	1220	45
M2430	Hook and Tow Jib – 2.0 Tonne Capacity	140x65	250	1220	45

Visit [www.mhaproducts.com.au](http://www.mhaproducts.com.au) for more images and details

## ABOUT MHA PRODUCTS

At Manual Handling Australia (MHA), we have the largest range of manual handling and workplace materials handling equipment in Australia. This includes thousands of workplace and storage items suited to every workplace and lifting equipment and trolleys for almost every application. Our products aim to eliminate or reduce manual handling effort in the workplace, while boosting productivity and ensuring workplace safety.

MHA has over many years spent countless hours on product development and sourcing to ensure we can get products to make your workplace not only safer but more efficient.

MHA sources products from all over the world and sells them direct meaning there is no middle man or middle margin added giving you the best possible price and faster service. We also offer customised solutions with trolleys, lifters and many other materials handling equipment to ensure you have the perfect product to improve the safety and efficiency of your workplace.

MHA is dedicated to providing you with the highest quality products at the best possible price, with the best possible service. With a long and trusted reputation in the industry, MHA is a name you can rely on.